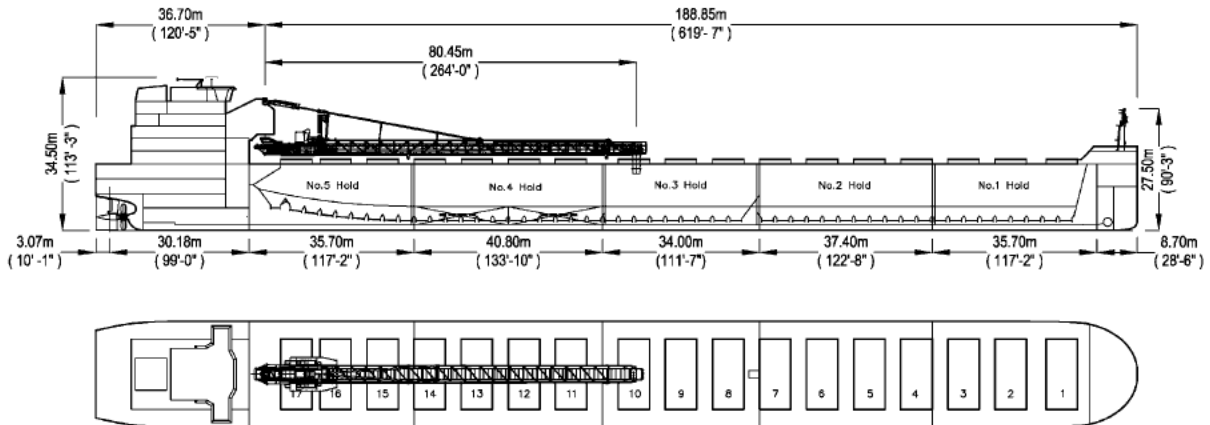




# Algoma Niagara



Manager: Algoma Central Corporation  
 Registry: St. Catharines / Canada  
 Builder: Yangzijiang Shipbuilding (Hull 1242)  
 Type: Great Lakes Self-Unloading Bulk Carrier  
 Class: Lloyds Register of Shipping  
 \*100A1 Great Lakes & River St Lawrence

## Principal Particulars

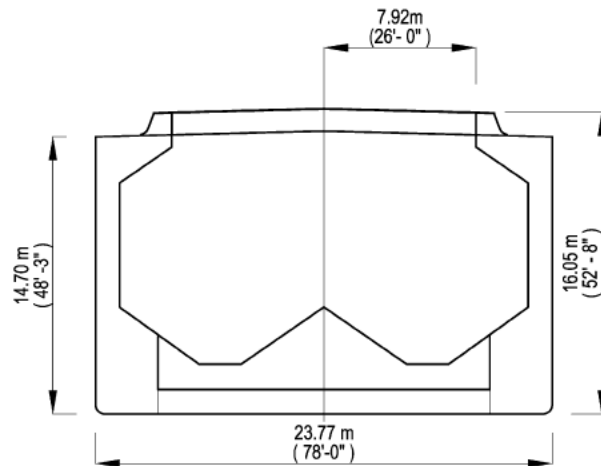
	Metres	Feet
LOA	225.55 m	740'-0"
LBP	222.06 m	728'-6½"
Beam (mid)	23.770 m	78'-0"
Depth (mid)	14.700 m	48'-3"

## Tonnage

	International
Gross	24640
Net	8979

## Great Lakes Load Lines

	Metres	Feet
MS (FW)	9.75	32'- 0"
S (FW)	9.52	31'- 3"
INT (FW)	9.41	30'-11"
W (FW)	9.30	30'- 6"
MS (SW)	9.54	31'- 3"
S (SW)	9.30	30'- 6"
INT (SW)	9.19	30'- 2"
W (SW)	9.08	29'-10"



## Self Unloading Equipment

Two belt gravity system with loop belt elevator. 80.45 m discharge boom luffing to 18° and slewing to 90° P&S. Shear type basket gates, UHMW plastic linings in holds and vibrators throughout tunnels. Designed discharge rate of up to 5,400 metric tons/hour.

## Cargo Deadweight

(610 MT consumables assumed)	Metric	Long
@ Mid Summer	37,000	36,417
@ 26'- 6" (FW) Seaway Draft	28,200	27,756

Note: Deadweight shown excludes Crew & Effects, Fuel Oil, Lube Oil, Water & Stores (~610 MT).

## Midship Air Draft

(To Top of Hatch Coaming at Side)

	Metres	Feet
Summer (FW) (9.518 m)	6.53	21'- 6"
Seaway (FW) (8.077 m)	7.97	26'- 2"
Ballast (FW) (5.745 m)	10.31	33'-10"

## Hold Capacities (Self-Trim 35°)

	m <sup>3</sup>	ft <sup>3</sup>
Hold 1	7,200	254,300
Hold 2	8,800	310,800
Hold 3	7,500	264,900
Hold 4	9,500	335,500
Hold 5	6,500	229,500
Total, holds and hatches	39,500	1,395,000

## Hatches

Number:	17	
	6.8m x 15.84m	
	Single plate	
Type:	Metres	Feet
Bow to mid Hatch #1	16.50 m	54'- 2"
Fwd to Aft	165.55 m	543'- 2"
Mid Hatch #17 to Stern	43.50 m	142'- 8"

63 Church Street, Suite 600 St. Catharines, Ontario L2R 3C4  
 Tel: 905.687.7888 Fax: 905.687.7840  
[www.algonet.com](http://www.algonet.com)